

MULESOFT CUSTOM CONNECTOR OVERVIEW

Mulesoft has many out-of-the-box connectors connecting to various protocols like SFTP, FTP, JDBC, and other SaaS systems like Salesforce, as well as numerous Google and AWS services. Additionally, it's possible to create connectors to access third-party resources.

A Mule custom connector is a software that provides a connection between a Mule flow and an external resource. The resource can be a database, protocol, or API. A connector can be created with the Anypoint Connector DevKit and Anypoint Studio IDE with Java. Anypoint Connector DevKit provides the tools and interfaces for building custom connectors. With Connectors, we can access web resources using REST, SOAP, or the Java SDK. Custom Connectors can be built using Anypoint Studio and in Mule ESB runtime environments, function as an extension of the core product.

MuleSoft gives the power to connect your world – apps, systems, and legacy tech – to make the most of your data.

Custom Connectors

Custom Connectors can be created with either Mule SDK or Java SDK (the Java SDK provides a Maven plugin and a Maven archetype to create new projects). There are six steps to follow when creating a custom connector:

1. Make sure to meet Software Requirements
 - a. JDK 8 to compile and build Java code
 - b. Apache Maven, version 3.3.9 or higher
2. Create Project with Maven
3. Set up Anypoint Studio (7.x)
4. Build Project
5. Develop a Custom Connector
6. Run the Connector in Anypoint Studio

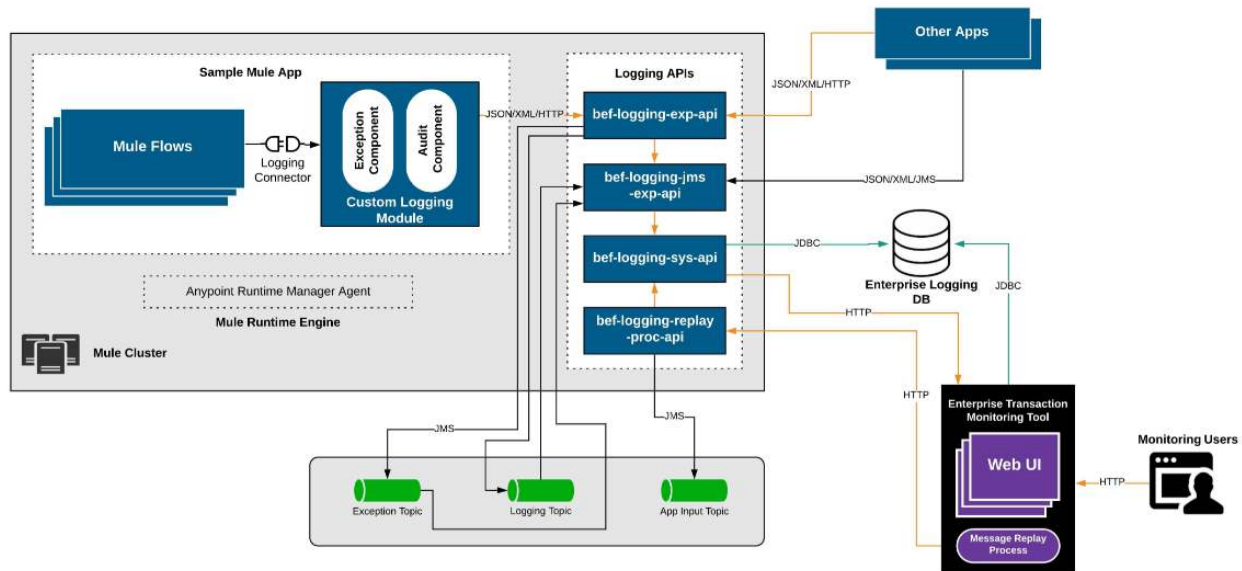
Development Best Practices

XTIVIA follows and recommends the following best practices when developing custom connectors.

- Align Java SDK version to the appropriate MuleSoft runtime environment version
- Use Error Types that are associated with connector @ErrorTypes
- Use Dataweave Expression Language
- Make sure there are no Transaction connections in Non-Transaction functionality
- Choose HTTP request and SOAP client wherever required
- Validate the Connector End-To-End experience

XTIVIA's Custom Logging Connector

One of XTIVIA's custom connectors is the Logging Connector, which is an extension to the logging API functionality.



- In any Mule application, there are two types of logging: Exception and Audit. With the help of a custom container, logging is performed while retrieving data from third-party APIs.
- Logging APIs: In the example above, the logging APIs are experienced (i.e., UI-based Application API, Messaging Application API, System API, and Replay Process API).
- Experience API: Collect the data – either exception or audit info – from UI and send it to the Exception/Logging/App Input Topic (In the example above, it's JMS).
- Messaging API: Collects the message sequentially from Exception/Logging Topic and routes it to the System API.
- Replay Process API: Collects messages from App Input Topic and routes it to the System API.
- System API: Validates and routes requests to the Enterprise Logging Database.
- Enterprise Logging API: Stores the exception and audit info message in the database.
- Monitoring Tools: Organizations use enterprise database data for analysis and critical issues fixes.

XTIVIA Service Offerings & Expertise

XTIVIA's MuleSoft Center of Enablement (C4E) has extensive industry experience in providing solutions to various partners. XTIVIA C4E combines a deep understanding of industry best practices and knowledge in providing professional services and optimal solutions, including strategy, architecture, implementation, testing, and managed services support.

We partner with clients to achieve excellence through the synergy of people, processes, and technology to enable clients for the Agile Enterprise. Our team specializes in large-scale project implementations backed by 20 years of real-world API development, application/data integration, and delivery with market-leading corporations.

We pride ourselves on the quality of our deliverables, solutions, and the highly trained MuleSoft professionals that help us achieve the level of excellence our clients need.

ABOUT XTIVIA

Since 1992, XTIVIA has proven expertise in delivering leading-edge enterprise IT solutions and support. A few of our service areas include integrating and innovating in MDM, Data Governance, BI/DW, ERP, Cloud, Mobile Apps. If you can imagine the business outcome, XTIVIA can create it with technology. <https://xtivia.com>